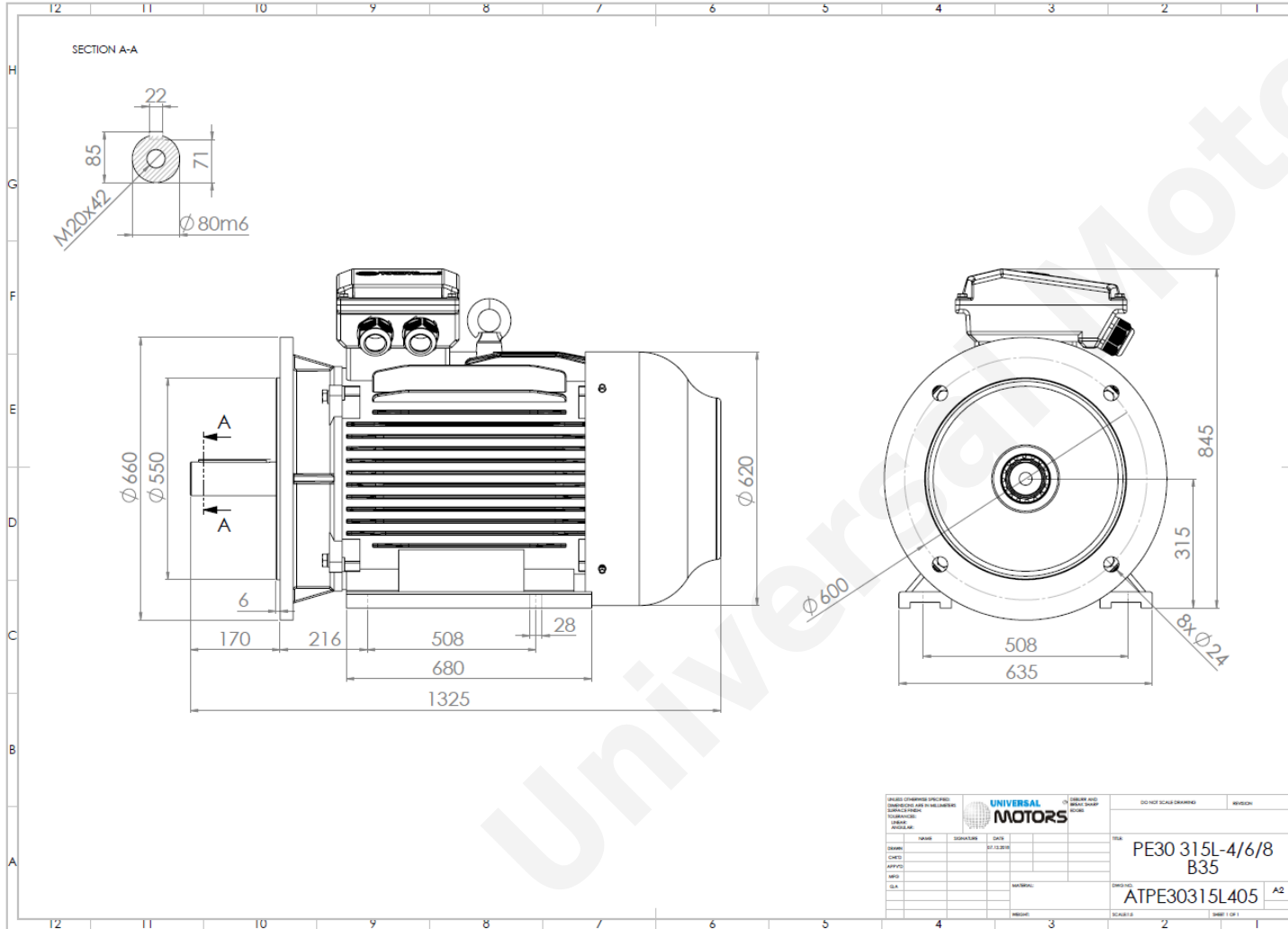




TECHNICAL DATA

Three Phase Electric Motors - Cast Iron Frame
 PE30 315 L2 4 IE3
 200 kW / 270 Cv
 1485 RPM



Motor type:	PE30 315 L2 4 IE3
Output:	200 kW / 270 Cv
Speed (min ⁻¹):	1485 RPM
Frequency:	50 Hz
Voltage:	400 V
Current:	334 A
Power factor (Cos Ø):	0.90
Poles:	4
Insulation class:	F
Temperature rise Class:	B
Efficiency 50%:	94.9 %
Efficiency 75%:	95.9 %
Efficiency 100%:	96.0 %
Torque:	1286 N.m
Tstarting/Tnominal:	2.0
Istarting/Inominal:	7.1
Tmaximum/Tnominal:	2.2
Noise:	77 Db(A)
Weight:	1194 Kg
Bearing DE:	NU 319
Bearing NDE:	6319 C3

UNIVERSAL MOTORS		DO NOT SCALE DRAWING	REVISION
DESIGN	DATE	TEST	
CHD	21.12.2016	PE30 315L-4/6/8	
APPROV		B35	
QA		ATPE30315L405	A2
MATERIAL			
WEIGHT			

Regime - S1

Altitude - 1000m

Environment Temperature - 40°C

CONTACTS:

UNIVERSAL MOTORS Tel: +351 252 299 080
 Rua de São Brás,745 Fax: +351 252 299 089
 4480-782 VILA DO CONDE Mail: geral@universalmotors.pt

* References applied only in the UK